

OPERATION AND MAINTENANCE INSTRUCTIONS

110150-001

MODEL 1400D

AXIAL BLOWER

12-VOLT DC

TABLE OF CONTENTS

<u>SECTION</u>		<u>PAGE NO.</u>
1.0	GENERAL	2
2.0	SAFETY PRECAUTIONS	2
3.0	MAINTENANCE AND REPAIR	2-3
4.0	PRODUCT DESCRIPTION	3
5.0	START-UP & OPERATING PROCEDURES	4
6.0	ASSEMBLY DRAWING & PARTS LIST	5-6

T.A. PELSUE COMPANY

2500 S. Tejon St., Englewood, Colorado 80110

Phone: (303) 936-7432 or (800) 525-8460

Fax: (303) 934-5581

PELSUE 1400D AXIAL BLOWER

1.0 GENERAL

- 1.01** This manual covers the description, operation and maintenance of the Pelsue Model –1400D Axial Blower. **Please take the time to read this manual before Operating blower.**
- 1.02** The 1400D portable blower is specifically designed to provide a completely portable source of fresh air. This blower is powered by a 12-Volt DC electrical supply.

2.0 SAFETY PRECAUTIONS

FOR YOUR SAFETY READ THE FOLLOWING SAFETY PRECAUTIONS

- 2.01** Do not use the blower for other than its intended use.
- 2.02** Do not wear loose clothing that can become entangled in operating Machinery. Do not operate blower without inlet or outlet guards in place. (If guards are missing or damaged, contact factory for replacements).
- 2.03** Do not place fingers or any other objects through inlet or outlet screens.
- 2.04** WET HANDS: Never handle energized power cords with wet hands.
- 2.05** WATER: Never let extension cords or plug connection lie in water. Locate the blower so that it cannot fall into water inadvertently.
- 2.06** EQUIPMENT: Never use blower if not in good working condition. Never use power cords if frayed, cut or has brittle insulation. Check the cord for sound connections to the power source.
- 2.07** EXPLOSIVE ATMOSPHERE: Never use this blower in any explosive environment. Be it gaseous or air born dust, consult your safety supervisor if there are any doubts or questions.
- 2.08** Save these instructions. Should be on file with both your safety supervisor and maintenance department.

3.0 MAINTENANCE & REPAIR

- 3.01** Be sure the blower is disconnected from the power source before doing any maintenance or repair work on the blower.

3.02 Check all power cords for cuts, frayed ends, brittle insulation or severally crushed sections. Also check the plug for exposed wiring. See the enclosed parts list for the replacement cord part number.

3.03 For Parts and Service Information contact:

T.A. Pelsue Service Department
2500 S. Tejon St.
Englewood, Colorado 80110
Phone: 303-936-7432 or 800-525-8460
Fax: 303-934-5581

4.0 PRODUCT DESCRIPTION

4.01 The Pelsue Model 1400D Axial Blower is a single speed, fresh-air blower. Motor is ¼ Hp. 12-Volt DC with 12Ft. power cord and plug connection to battery style alligator clips.

4.02 Recommended power supply is a 12VDC automotive battery. Or a 12VDC power source, minimum of 50-amps start-up and 15–18 amps continuous current draw.

4.03 MODEL SPECIFICATIONS & PREFORMANCE

Horsepower: 1/4 (.186Kw)
Amperage
Start-up: 50 Amps
Continuous: 15-18 Amps

Note: Airflows, using an 8" Dia. x 15Ft. Model-2015HRT Hose.

Free Air: 922 CFM, (26.12 m3/min.) (no hose)
One 90° Bend: 541 CFM, (15.31 m3/min.)
Two 90° Bend: 518 CFM, (14.66 m3/min.)

4.04 DIMENSIONS & WEIGHTS

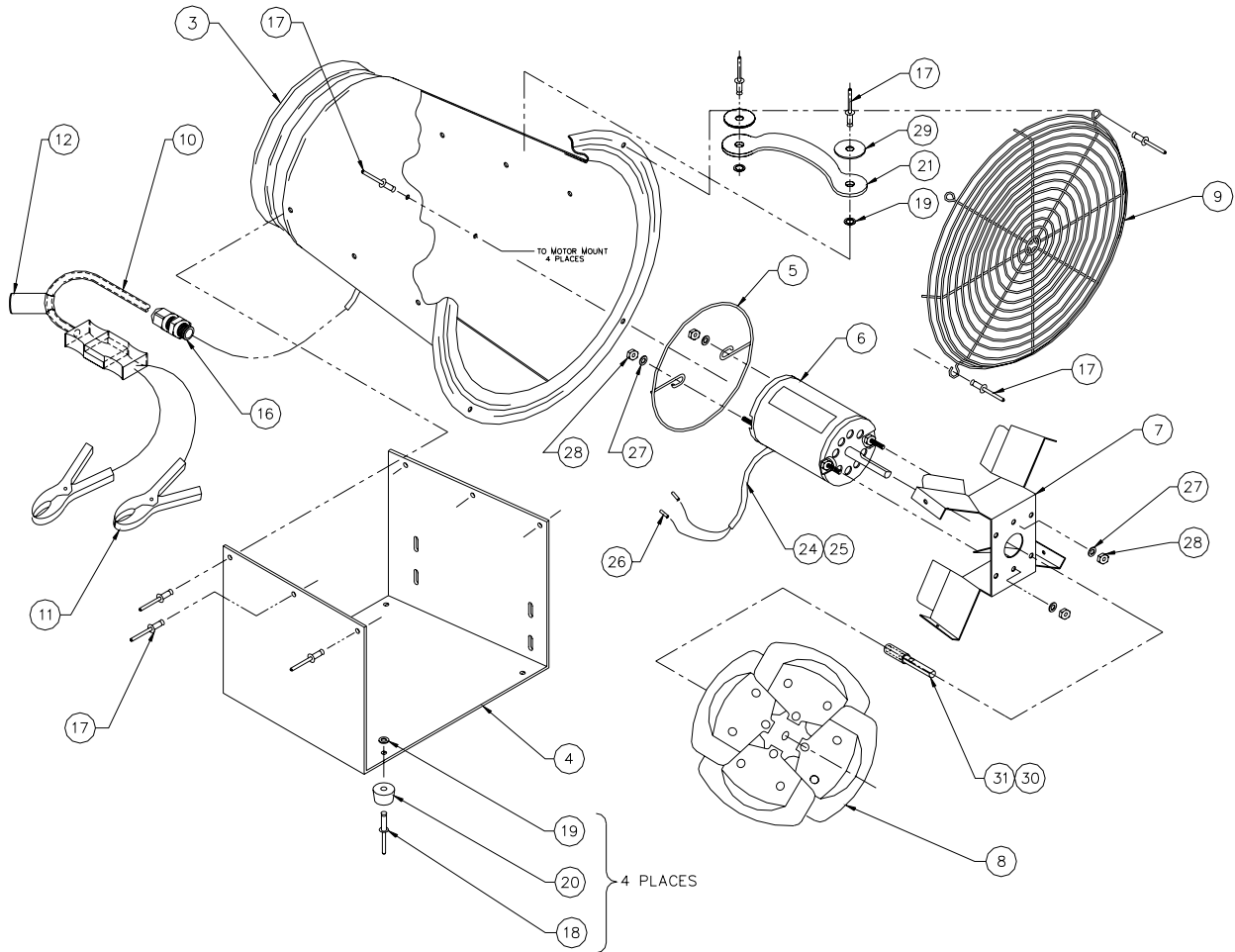
Width: 13" (330 mm)
Length: 14 ½" (368 mm)
Height: 14 ½" (368 mm)
Unit Weight: 16.5 Lbs. (7.49 Kg.)
Ship Wt.: 20.0 Lbs. (9.07 Kg.)

5.0 START-UP & OPERATING PROCEDURES

READ ENTIRE START-UP & OPERATING PROCEDURES BEFORE OPERATING BLOWER.

- 5.01 PRE-START PROCEDURE:** Read Safety Precautions 2.0
Check blower inlet and outlet guard screens for obstructions. Check Immediate area around blower for objects that could be sucked into the blower inlet and remove from area of operation.
- 5.02 BLOWER & VENTILATION HOSE:** **Locate blower upwind from work area** and survey the immediate area for possible hazards such as blowing dust, toxic fumes or auto/truck exhaust that could blow into the blower inlet.
Deploy the ventilation hose using the shortest hose for the job. Keep the hose as straight as possible. Eliminate as many and or sharp bends as possible. The more bends and longer the hose the less the airflow.
- 5.03 START-UP PROCEDURE:** With the Plug & Battery Clip Assembly unplugged from the blower, attach the Battery Clips to the vehicles battery. Black to Negative post (-) and Red to Positive post (+).
Only after the battery connections are complete, plug the blower power cord plug & battery clip plug together. This procedure will eliminate the chance for a spark next to the battery that may be giving off hydrogen gasses.
The blower should be operating at this time.
DO NOT ATTEMPT to use the OEM cigarette lighter socket inside the vehicle as a source of power. Continuous power draw is 15-18 amps and may overload the vehicles wiring capacity.
Do not leave blower plugged in, operating, while unattended.
- 5.04 SHUT-OFF PROCEDURE:** When blower operation is no longer required, unplug the unit at the two blue plugs. Next disconnect the battery clips and coil and store the power cord in the opening between the base and the blower housing.

6.0 ASSEMBLY DRAWING & PARTS LIST



<u>ITEM NO.</u>	<u>DESCRIPTION</u>	<u>PART NO.</u>
3.	Housing Weldment	110006-001
4.	Base – Axial Blower	110021-001
5.	Grille – Outlet	110000-001
6.	Motor – ¼ Hp. 12VDC	110004-001
7.	Motor Mount – Zinc Plated	118809-001
8.	Fan Blade – 10” Dia. Alum	119268-001
9.	Grille – Intake	104977-001
10.	Cord set – 14/2 x 12Ft. w/plug	122619-001
11.	Plug & Battery clip assembly	122592-001
12.	Decal – CAUTION 15-AMP	122084-001
13.	Shaft Extension – 5/16” to 3/8”	121861-001
14.	Open	
15.	Open	

<u>ITEM NO.</u>	<u>DESCRIPTION</u>	<u>PART NO.</u>
16.	Strain Relief – ½” Hub, .25-.38 grip	100405-004
17.	Pop Rivet – Stavex 3/16” x .06-.38	118518-001
18.	Pop Rivet – 3/16” x .25-.50 grip	103824-004
19.	Backing Washer – Rivet Back-up	104151-001
20.	Rubber Foot – ¾” Dia.	100188-001
21.	Handle – Neoprene Cloth Reinforced	102090-001
22.	Decal – I.D. Serial No. & Data Plate	110155-001
23.	Open	
24.	Split Loom – 3/8”, Flexible	100220-000
25.	Tubing – 3/8” Heat Shrink, Blk.	105343-001
26.	Terminal – 16-14 Butt Connector	26E-014100
27.	Flat Washer - #10, Zn Plated	100050-006
28.	Lock Nut - #10-32 Nylon Insert, Blk.	110733-001
29.	Fender Washer - #10	105558-001
30.	Set Screw - #8-32 x ¼” Lg. Cup Pt.	104638-001